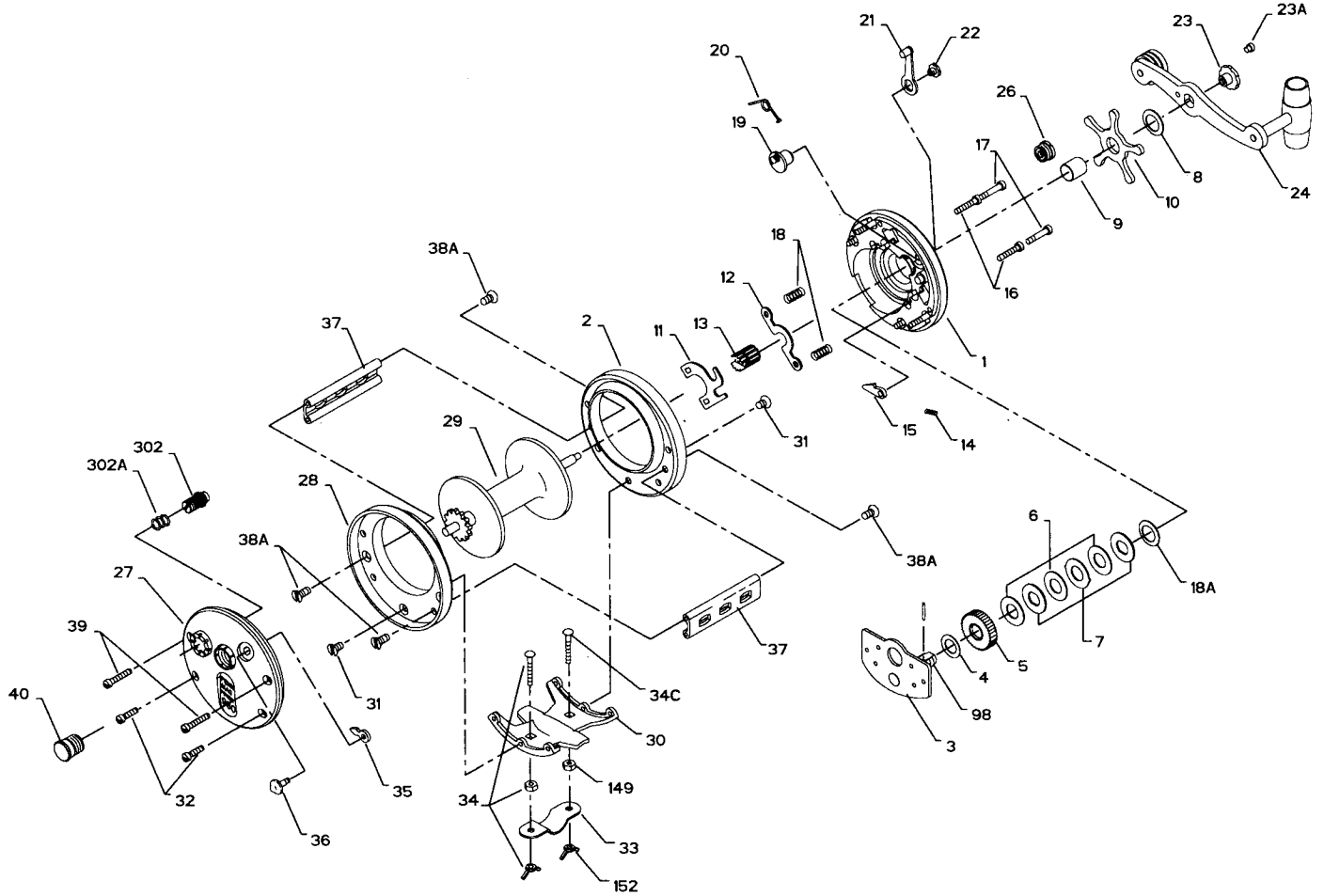




PARTS AND PRICE LIST FOR MODELS 970-980-990 PENN MAG POWER



Key No.	Part No.	Description	Price	Key No.	Part No.	Description	Price
1	1-970	Right Side Plate (970-980)	\$8.60	28	2-970	Left Side Ring (970-980)	\$13.75
	1-990	Right Side Plate (990)	10.45	28	2-990	Left Side Ring (990)	16.90
2	2-970	Right Side Ring (970-980)	13.75	29	29L-970	Spool (Complete)	19.00
	2-990	Right Side Ring (990)	16.90		29L-980	Spool (Complete)	22.00
3	3-970	Bridge w/Sleeve (970-980)	10.90		29L-990	Spool (Complete)	24.00
	3-990	Bridge w/Sleeve (990)	11.25	30	30N-970	Stand	6.80
4	4-349	Fiber Washer	.40		30N-980	Stand	8.60
5	5-970	Main Gear (970-980)	8.90		30N-990	Stand	10.30
	5-990	Main Gear (990)	9.25	31	31-19	Stand Screw (Center)	.40
6	6-113H	Drag Washer (3 req.) (970-980)	1.05	31A	31-970	R.S. Stand Screw	.40
	6-990	Drag Washer (3 req.) (990)	1.10	32	39-6	L.S. Stand Screw	.40
7	7C-970	Washer (Metal Set) (970-980)	3.70	33	33-200	Rod Clamp (970)	3.80
	7C-990	Washer (Metal Set) (990)	3.70		33-990	Rod Clamp (980-990)	3.40
8	8-349	Tension Spring	.90	34	34-49	Rod Clamp Screw (970)	.50
9	9N-970	Spacing Sleeve (970-980)	2.25		34-200	Rod Clamp Screw (980-990)	.50
	9-990	Spacing Sleeve (990)	2.35	35	35-155	Click Tongue (N/S)	.90
10	10-970	Star Drag Wheel (970-980)	3.25	36	36-209	Click Button (N/S)	.80
	10-349	Star Drag Wheel (990)	4.40	37	37C-970	Spacer Bar (Control) (970)	3.60
11	11-200	Eccentric Jack	1.25		37A-500	Spacer Bar (Control) (980-990)	4.20
12	12-155	Pinion Yoke	.90		37N-970	Spacer Bar (Penn) (970)	3.60
13	13N-970	Pinion Gear w/Ring	6.10		37A-500	Spacer Bar (Penn) (980-990)	3.60
14	14-99	Dog Spring	.40	38	38-970	R.S. Upper Spacer Bar Screw	.40
15	15-970	Dog (970-980)	.95	38A	38A-970	Inner Spacer Bar Screw (4 req.)	.40
	15-990	Dog (990)	.95	40	40-970	L.S. Bearing (Complete)	13.70
16	16-60	Lower Bridge Screw	.40	40A	40A-970	L.S. Bearing Cup	3.20
17	17-60	Upper Bridge Screw	.40	40B	40B-910	L.S. Bearing Pressure Plug	.80
18	18-60	Clutch Spring	.40	55	55-113H	R.S. Bearing	13.50
18A	18-970	Clutch Spring	.90	55A	55-116	L.S. Bearing	13.50
19	19-200	Eccentric Cam	1.80	57	57-109	Pressure Plug Spring	.60
20	20-155	Eccentric Spring	.40	98	98-320	Gear Sleeve (970-980)	5.00
21	21-200	Eccentric Lever	1.50	98	98-349	Gear Sleeve (990)	5.00
22	22-99	Eccentric Screw	1.50	103	103-970	R.S. Bearing Cup	2.60
23	23-114	Handle Screw	2.65	110	110-60	Handle Lock Screw	.40
24	24-970	Handle	10.15	149	149-200	Rod Clamp Hex Nut	.40
26	26-970	R.S. Brg. (Complete)	12.90	152	152-200	Rod Clamp Wing Nut	.40
27	27-970	Left Side Plate	8.30	173	173-113H	R.S. Bearing Retainer	.80
	27-980	Left Side Plate	8.30	173A	173-140	L.S. Bearing Retainer	.80
	27-990	Left Side Plate	8.75	302	302-970	Magnet Housing w/Magnet	26.00
				302A	302A-970	Housing Spring Magnet	.80